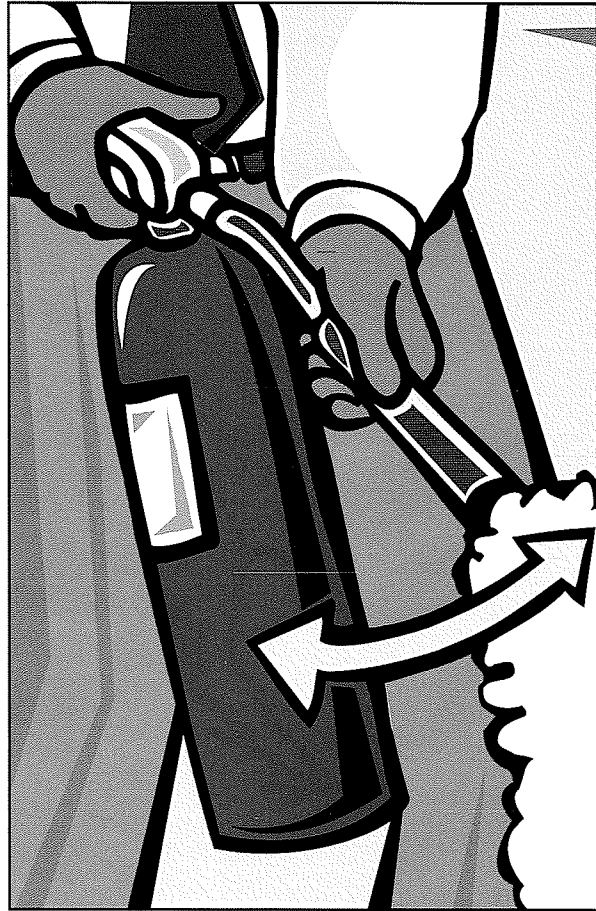


Portable fire extinguishers can save lives and property by putting out and containing small fires.

Fighting small fires

Before you fight a fire be sure that . . .

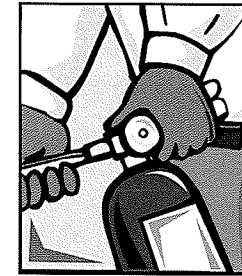
- ⦿ You have confidence to fight the fire.
- ⦿ Everyone else has left the building and someone is calling the fire department.
- ⦿ The fire is small, confined, and not spreading.
- ⦿ You have an unobstructed escape route.
- ⦿ Your extinguisher matches the fire.



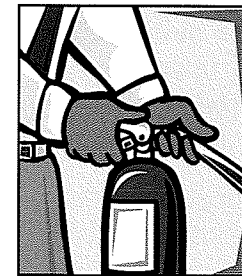
To operate your extinguisher, remember the acronym **PA**



P—Pull the pin that unlocks the operating lever. (Some models may have other lever-release mechanisms.)



A—Aim low. Point the extinguisher nozzle or hose at the base of the fire.

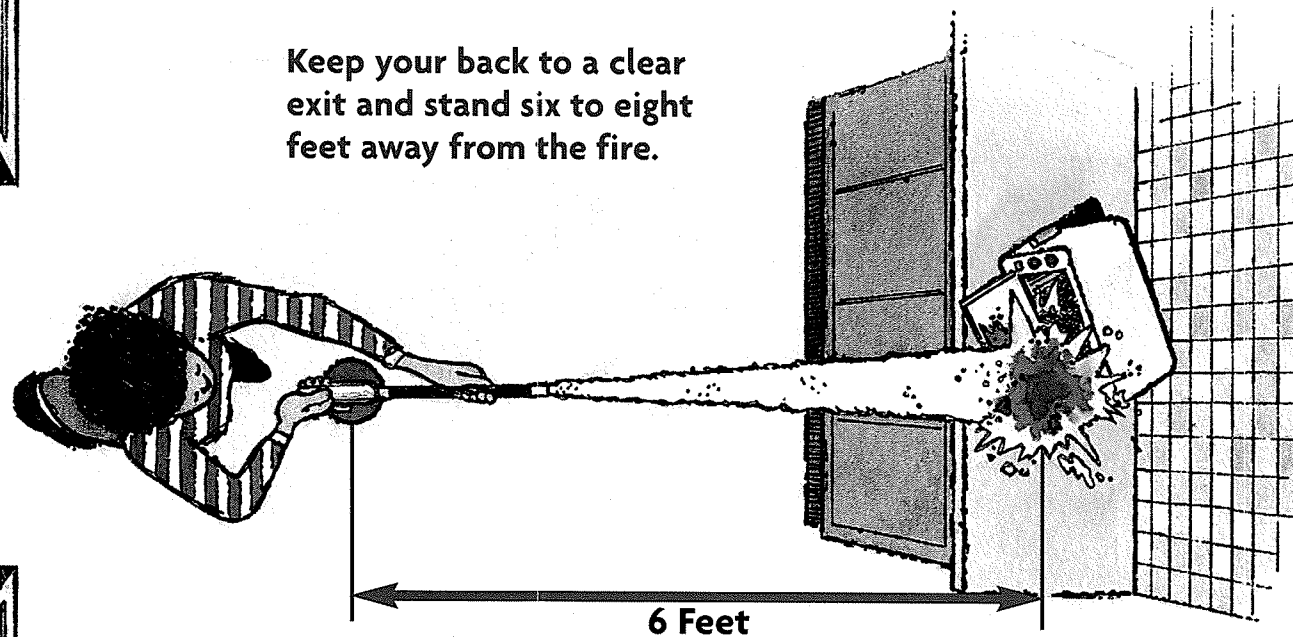


S—Squeeze the lever above the handle to discharge the extinguishing agent. To stop the discharge, release the lever. (Some models may have a button instead of a lever.)



S—Sweep the nozzle or hose side to side. Move carefully toward flames, keep the extinguisher aimed at the base of the fire, and sweep back and forth.

Keep your back to a clear exit and stand six to eight feet away from the fire.



Once the fire goes out, watch the fire area and be prepared to repeat the process if the fire re-ignites.

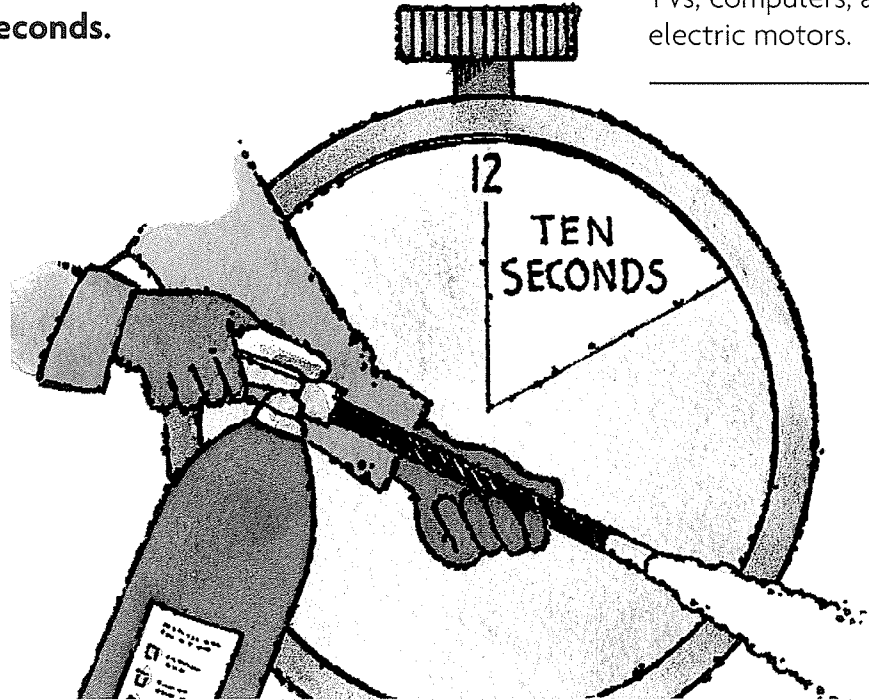
Have the fire department inspect the fire site — even if you're sure you've extinguished the fire.

Extinguishers size

Read the instructions that come with the fire extinguisher and become familiar with its parts and operation before a fire breaks out. Local fire departments or fire equipment distributors often offer hands-on fire extinguisher training.

Know when to go. Fire extinguishers are one element of a fire response plan, but the primary element is safe escape. Every household should have a **home fire escape plan** and **working smoke alarms**.

Some extinguishers discharge completely in as little as 8 to 10 seconds.



Match your extinguisher to the fire

There are three common classes of fire in the home. Your extinguisher must match the type of fire you're fighting. Extinguishers are labeled with standard symbols or letters for the classes of fire they can put out.

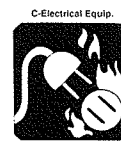
Class A fires involve paper, wood, and other ordinary combustibles.



Class B fires involve flammable liquids, such as oil and gasoline.



Class C fires involve energized electrical equipment, such as power tools, wiring, fuse boxes, appliances, TVs, computers, and electric motors.



Check & Match

Check and match these symbols to the room before buying and installing extinguishers

Home Fire Extinguisher



Visit us online at:
www.nfpa.org
www.sparky.org

Order at www.nfpacatalog.org or call: 1-800-344-3555
©2004 National Fire Protection Association
One Batterymarch Park • Quincy, MA 02169-7471
Printed in U.S.A. ♻️ Recycled Paper
Item# BR3R

